

Effective February 2023

freelife

TROUBLESHOOTING
GUIDE



FREEFIT TROUBLESHOOTING GUIDE

GLOSSARY OF COMMON TERMS

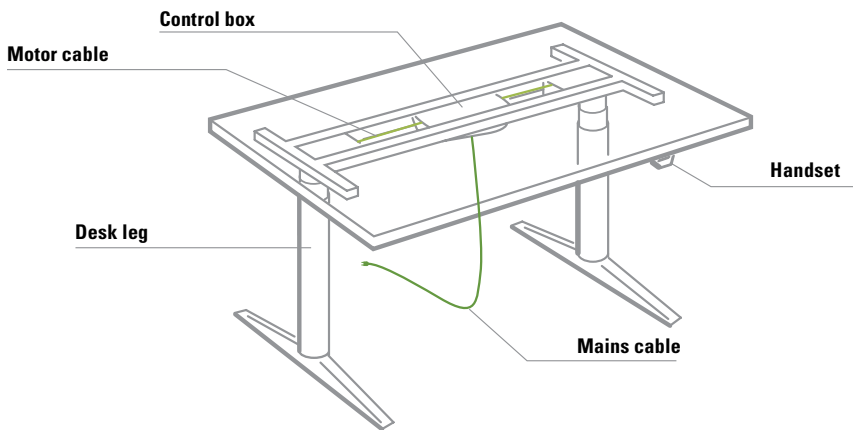
Components:

- **Desk Leg (DL)** - The lifting columns with power coated steel profiles, responsible for lifting the desk.
- **Control Box (CBD6S)** - Both the computer and power supply of the system
- **Handset** - The user interface. Depending on the model, it is used to activate the application, set memory positions, display the height, display error codes, connect to mobile apps, and give reminders to the user.
- **Motor Cable** - Transmits low voltage power (18-39 VDC) from the control box to the desk legs, and also transmits desk sensor signals when available from the desk leg.
- **Mains Cable** - Transmits high voltage power (120 VAC in US and Canada) to the control box

Other:

- **Initialize** - Procedure to reset all desk legs to the fully retracted position so that the control box knows where they are.
- **Reference** - Any group of desk legs that run in parallel when an Up or Down command is sent to the control box. It is possible to have a custom control box configuration that allows for more than one Reference. [Example: Two (2) desk legs on Reference #1 (Channels #1 and #2) to lift a work surface, and one (1) LA31 on Reference #2 (Channel 3) to adjust a monitor array.]

Desk Diagram:



STANDARD TROUBLESHOOTING PROCEDURES

P1 - Initialize the control box ("reset")

Note: This is commonly the solution when a complaint is that a desk will move down but not up. When a control box requires initialization, this is how the system is programmed to behave.

STEP 1. Hold Down button on handset to ensure the desk is retracted to its lower limit (whether it's the fully retracted hard stop, or a configured lower limit).

STEP 2. Briefly release Down

STEP 3. Press and hold Down for 5 seconds, wait until all desk movement has stopped, then release

- a. If initialization is successful, you should see a slight up/down "handshake" movement of the desk legs
- b. If you have a handset with display, you should also see E01 during this part of the procedure.

P2 - Reset the handset

STEP 1. Press and hold the "bell" button and the "star" button for eight seconds until the LED flashes red.



P3 - Check all cable connections

STEP 1. Mains cable, connected to both the control box and power outlet.

STEP 2. All motor cables, connected to both the control box and desk leg.

- a. Assuming a standard control box configuration, these must be connected in channels 1 and 2, or channels 1, 2 and 3 for a 3-leg table. They can't be connected in channels 1 and 3 or 2 and 3 unless there is a configuration on the control box specifying this arrangement.

STEP 3. Handset cable, connected to the control box in either port A1 or A2 (doesn't matter which)

P3 - Check for obstructions

STEP 1. Check under, above and on the sides of the desk for any obstructions that could prevent movement in either direction.

The next two procedures (P4 and P5) are for a two leg desk system. The same concepts can be used for a three leg system using Channel 3 and so forth.

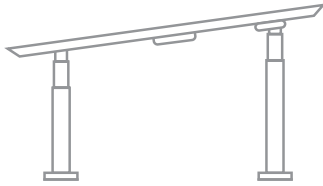
P4 - Check for faulty component(s) WITH error codes (digital display on handset, or on app via Bluetooth)

Notes: Check the error code list in the appendix of this troubleshooting guide for assistance. The code should read E##. Some error codes are channel-specific which can help pinpoint the problem.

Symptom	Procedure
System will move down but not up	<ol style="list-style-type: none"> 1. Initialize (P1)
System unresponsive (no power to display with any button is pressed). If any of these steps activates the digital display, initialize the system (P1).	<ol style="list-style-type: none"> 1. Check mains cable connection 2. Test power outlet using another device (lamp, phone charger, etc.) 3. Plug in a new switch and test 4. Connect all existing cables to a new control box and test
System is powered, but will not initialize	<ol style="list-style-type: none"> 1. Try pressing and releasing the down button a few times before pressing and holding for 5 seconds. 2. Also, be aware if the control box has a special configuration: If the desk is programmed with a lower stroke limit, so as to avoid a collision with something like a file cabinet, it is possible that it also has a custom, longer Forced Initialization Time. This is the time required to hold Down before initialization begins. Sometimes this is 10 seconds or longer. 3. If you have a standard control box without a special configuration (i.e. "Plug & Play"), try to initialize each leg in Channel 1 by itself, with nothing else plugged into the motor channels on the control box. Also, swap the motor cables so that a different motor cable is used to initialize Channel 1 by itself. The problem could be a faulty desk leg or a faulty motor cable.
Channel-specific error (Ex: E41 – Channel 1 overload) – <i>Everything except desk sensor errors</i> (E59-E63)	<ol style="list-style-type: none"> 1. Swap the motor cable connections at the control box (Motor cable #1 from channel 1 to 2, motor cable #2 from channel 2 to 1). If it remains E41, there could be a problem with the application (load or obstruction on one side) or a bad control box. If the error changes to E42, go to step 2. 2. Swap the motor cable connections at the desk legs, so that the leg that was originally connected to Channel 1 is back in Channel 1, but with the motor cable that was originally connected to Channel 2. If it remains E42, it is most likely a bad motor cable, now connected to Channel 2. If it goes back to E41, it is most likely a bad desk leg, now connected to Channel 1.

FREEFIT TROUBLESHOOTING GUIDE

Symptom	Procedure
Desk is uneven	<ol style="list-style-type: none"> 1. Initialize the desk. If both legs begin to run down, complete the initialization. If only one leg moves, stop and move to Step 2. 2. Check motor cable connections. Check to ensure motor cables are not pulled during movement. With a standard, Plug & Play control box, it's possible that only one leg is connected, and connected to Channel 1. In this case, it will initialize and run Channel 1 only. If there is only one leg but it's connected to Channel 2, it will not initialize. 3. If a motor cable was disconnected, try initializing again. 4. If unsuccessful, connect the desk leg from Channel 2 into Channel 1, with nothing in Channel 2, and initialize. 5. Try initializing the same leg that's in Channel 1, but with a different motor cable. If it still won't initialize, replace the desk leg.



P5 - Check for faulty component WITHOUT error codes (no digital display on handset, no Bluetooth)

Symptom	Procedure
System will move down but not up	<ol style="list-style-type: none"> 1. Initialize (P1)
System will not initialize. OR System won't complete the full range of motion.	<ol style="list-style-type: none"> 1. Check mains cable connection. Test power outlet using another device (lamp, phone charger, etc.) 2. Plug in a new switch. 3. Connect all existing cables to a new control box. 4. Try pressing and releasing the down button a few times before pressing and holding for 5 seconds. 5. Also, be aware if the control box has a special configuration: If the desk is programmed with a lower stroke limit, so as to avoid a collision with something like a file cabinet, it is possible that it also has a custom, longer Forced Initialization Time. This is the time required to hold Down before initialization begins. Sometimes this is 10 seconds or longer. 6. If you have a standard control box without a special configuration (i.e. "Plug & Play"), try to initialize each leg in Channel 1 by itself, with nothing else plugged into the motor channels on the control box. Also, swap the motor cables so that a different motor cable is used to initialize Channel 1 by itself. The problem could be a faulty desk leg or a faulty motor cable.
<p>– After each of these steps, attempt to initialize (P1).</p>	
Desk is uneven	<ol style="list-style-type: none"> 1. Desk is uneven (P4)

APPENDIX

What is the Control Box Thinking?

There are many clever procedures, checks and measurements performed in the control box. Here is a brief description of what the control box is trying to accomplish while it is activating an application:

• Safe activation of the application

- Parallel, even movement of all desk legs in the application is critical.
 - » The control box does not directly know the position of each desk leg. Instead, the position of each leg is constantly calculated via Hall pulses from each motor. The legs on a single reference are not allowed to be more than +/- 5 Hall pulses out of sync. For a standard DL, this amounts to +/- 0.55 mm.
 - » Motor cable disconnections are also detected as errors.
- If desk sensor technology is present in the desk leg, the control box monitors for desk sensor "collision" signals from each channel. When a desk sensor signal is sensed, movement is immediately stopped and, if there is room, the system is ran in the opposite direction a small distance.
- Anytime the control sees an incomplete signal, or more than one signal (multiple keys pressed, multiple handsets activated at the same time), an error is determined and no movement is allowed at that moment. This is to prevent an action of movement that is not intended by the user.

• Protection from equipment damage

- Internal temperature of the control box is monitored.
- Maximum current draw for each motor channel, as well as the system as a whole, is measured. When the current exceeds an allowable limit, an error is presented.

FREEFIT TROUBLESHOOTING GUIDE

Error Codes

ERROR CODE	NAME	DESCRIPTION	POTENTIAL CAUSE	TROUBLESHOOTING
E01	Position Lost	The desk has an unknown position and needs to be initialized	» Position error » New Desk Leg added	<ul style="list-style-type: none"> • Initialize the system (P1)
E02	General Overload Up	Overload in upward direction has occurred	» Obstruction » Bad leg or motor cable	<ul style="list-style-type: none"> • Check all cable connections, (P2) initialize the system (P1) • Troubleshoot components by initializing 1 at a time (only possible with Plug & Play configuration) (P4)
E03	General Overload Down	Overload in downward direction has occurred	» Obstruction » Bad leg or motor cable	<ul style="list-style-type: none"> • Check all cable connections, (P2) initialize the system (P1) • Troubleshoot components by initializing 1 at a time (only possible with Plug & Play configuration) (P4)
E08	Watchdog	Indicate that software failed to kick watchdog	» Program fault	<ul style="list-style-type: none"> • Unplug mains cable for 15 sec • Initialize the system (P1) • Replace Control Box
E09	LIN collision	Collisions detected on the LIN bus	» Key pressed on two or more connected handset simultaneously » Multiple LINBUS devices activated	<ul style="list-style-type: none"> • Check if another handset is connected and being activated • Unplug all but one handset and test system
E10	Power fail	Power fail happened, or power regulator adjusted below 10%	» Mains cable pulled during driving » Internal fault » Only 1 battery for a 3- or 4-channel system » E10 is a power fail, voltage on power supply drops below a certain limit, power removed	<ul style="list-style-type: none"> • Check mains cable is not caught, and is allowed to freely travel • Use strain-relief loop built into control box • Use a 2nd battery; charge batteries
E11	Channel mismatch	Change in number of actuators since initialization	» Disconnection » Desk Leg added	<ul style="list-style-type: none"> • Check Motor cable connections and Integrity (P2) • Change Motor cable or Desk Leg • Initialize the system (P1)
E12	Position error	One channel has position different than other	» Too much back drive occurred	<ul style="list-style-type: none"> • Move table to fully retracted position • Initialize system (P1)
E13	Short circuit	Short circuit detected during operation	» Squeezed Motor Cable » Short in motor	<ul style="list-style-type: none"> • Check motor cable connections (P2) • Isolate and replace Motor Cable (P4) • Isolate and replace Desk Leg (P4)
E15	Power limit	System has reached its power limitation	» Mains cable pulled during driving » Internal fault » Many times will see this alongside E10 » E15 is when power regulator has adjusted speed down on actuators without any significant current draw, usually caused by power supply dropping.	<ul style="list-style-type: none"> • Check mains cable is not caught, and is allowed to freely travel • Use strain-relief loop built into control box
E16	Key Error	Illegal keys pressed (handled internally in DP1C).	» Hitting multiple buttons simultaneously	<ul style="list-style-type: none"> • Check handset
E17	Safety missing	LIN bus unit does not support safety feature	» DP1C/DPF1C does not have up-to-date software	<ul style="list-style-type: none"> • Try DP with more recent software version (printed on label)
E18	Missing Initialization plug	A special service tool is required to change number of channels to the system	[BASELIFT Only] » Service tool missing from BASELIFT system when initializing	<ul style="list-style-type: none"> • Add service tool
E23	Ch1 missing	Channel 1 is detected missing	» Disconnection » Faulty motor cable » Faulty motor in leg	<ul style="list-style-type: none"> • Check Motor cable connections and Integrity (P2) • Change Motor cable or Desk Leg • Initialize the system (P1)
E24	Ch2 missing	Channel 2 is detected missing	» Disconnection » Faulty motor cable » Faulty motor in leg	<ul style="list-style-type: none"> • Check Motor cable connections and Integrity (P2) • Change Motor cable or Desk Leg • Initialize the system (P1)

FREEFIT TROUBLESHOOTING GUIDE

ERROR CODE	NAME	DESCRIPTION	POTENTIAL CAUSE	TROUBLESHOOTING
E25	Ch3 missing	Channel 3 is detected missing	» Disconnection » Faulty motor cable » Faulty motor in leg	<ul style="list-style-type: none"> • Check Motor cable connections and Integrity (P2) • Change Motor cable or Desk Leg • Initialize the system (P1)
E26	Ch4 missing	Channel 4 is detected missing	» Disconnection » Faulty motor cable » Faulty motor in leg	<ul style="list-style-type: none"> • Check Motor cable connections and Integrity (P2) • Change Motor cable or Desk Leg • Initialize the system (P1)
E29	Ch1 type	Channel 1 is not same type as when initialized	» Change in Desk Leg type » Loose wire inside motor	<ul style="list-style-type: none"> • Check Desk Leg type • Change Desk Leg • Initialize the system (P1)
E30	Ch2 type	Channel 2 is not same type as when initialized	» Change in Desk Leg type » Loose wire inside motor	<ul style="list-style-type: none"> • Check Desk Leg type • Change Desk Leg • Initialize the system (P1)
E31	Ch3 type	Channel 3 is not same type as when initialized	» Change in Desk Leg type » Loose wire inside motor	<ul style="list-style-type: none"> • Check Desk Leg type • Change Desk Leg • Initialize the system (P1)
E32	Ch4 type	Channel 4 is not same type as when initialized	» Change in Desk Leg type » Loose wire inside motor	<ul style="list-style-type: none"> • Check Desk Leg type • Change Desk Leg • Initialize the system (P1)
E35	Ch1 pulse fail	Channel 1 had too many pulse errors	» Loose/faulty cable » Hall sensor PCB	<ul style="list-style-type: none"> • Check motor cable connections and integrity (P2) • Change Desk Leg • Initialize the system (P1)
E36	Ch2 pulse fail	Channel 2 had too many pulse errors	» Loose/faulty cable » Hall sensor PCB	<ul style="list-style-type: none"> • Check motor cable connections and integrity (P2) • Change Desk Leg • Initialize the system (P1)
E37	Ch3 pulse fail	Channel 3 had too many pulse errors	» Loose/faulty cable » Hall sensor PCB	<ul style="list-style-type: none"> • Check motor cable connections and integrity (P2) • Change Desk Leg • Initialize the system (P1)
E38	Ch4 pulse fail	Channel 4 had too many pulse errors	» Loose/faulty cable » Hall sensor PCB	<ul style="list-style-type: none"> • Check motor cable connections and integrity (P2) • Change Desk Leg • Initialize the system (P1)
E41	Ch1 overload up	Overload up occurred on channel 1	» Leg is overloaded » Hit obstruction » Reached end stop (before initialization at upper endstop occurs)	<ul style="list-style-type: none"> • Remove obstruction (P3) • Remove load • Initialize if necessary (P1)
E42	Ch2 overload up	Overload up occurred on channel 2	» Leg is overloaded » Hit obstruction » Reached end stop (before initialization at upper endstop occurs)	<ul style="list-style-type: none"> • Remove obstruction (P3) • Remove load • Initialize if necessary (P1)
E43	Ch3 overload up	Overload up occurred on channel 3	» Leg is overloaded » Hit obstruction » Reached end stop (before initialization at upper endstop occurs)	<ul style="list-style-type: none"> • Remove obstruction (P3) • Remove load • Initialize if necessary (P1)
E44	Ch4 overload up	Overload up occurred on channel 4	» Leg is overloaded » Hit obstruction » Reached end stop (before initialization at upper endstop occurs)	<ul style="list-style-type: none"> • Remove obstruction (P3) • Remove load • Initialize if necessary (P1)
E47	Ch1 overload down	Overload down occurred on channel 1	» Hit obstruction	<ul style="list-style-type: none"> • Remove obstruction (P3) • Initialize if necessary (P1)
E48	Ch2 overload down	Overload down occurred on channel 2	» Hit obstruction	<ul style="list-style-type: none"> • Remove obstruction (P3) • Initialize if necessary (P1)
E49	Ch3 overload down	Overload down occurred on channel 3	» Hit obstruction	<ul style="list-style-type: none"> • Remove obstruction (P3) • Initialize if necessary (P1)
E50	Ch4 overload down	Overload down occurred on channel 4	» Hit obstruction	<ul style="list-style-type: none"> • Remove obstruction (P3) • Initialize if necessary (P1)
E53	Ch1 anti-col	Anti-collision triggered on channel 1	» Hit obstruction	<ul style="list-style-type: none"> • Remove obstruction (P3) • Initialize if necessary (P1)

FREEFIT TROUBLESHOOTING GUIDE

ERROR CODE	NAME	DESCRIPTION	POTENTIAL CAUSE	TROUBLESHOOTING
E54	Ch2 anti-col	Anti-collision triggered on channel 2	» Hit obstruction	<ul style="list-style-type: none"> • Remove obstruction (P3) • Initialize if necessary (P1)
E55	Ch3 anti-col	Anti-collision triggered on channel 3	» Hit obstruction	<ul style="list-style-type: none"> • Remove obstruction (P3) • Initialize if necessary (P1)
E56	Ch4 anti-col	Anti-collision triggered on channel 4	» Hit obstruction	<ul style="list-style-type: none"> • Remove obstruction (P3) • Initialize if necessary (P1)
E59	Ch1 SLS/desk sensor	Safety limit switch activated on channel 1	» Hit obstruction	<ul style="list-style-type: none"> • Remove obstruction (P3) • Initialize if necessary (P1)
E60	Ch2 SLS/desk sensor	Safety limit switch activated on channel 2	» Hit obstruction	<ul style="list-style-type: none"> • Remove obstruction (P3) • Initialize if necessary (P1)
E61	Ch3 SLS/desk sensor	Safety limit switch activated on channel 3	» Hit obstruction	<ul style="list-style-type: none"> • Remove obstruction (P3) • Initialize if necessary (P1)
E62	Ch4 SLS/desk sensor	Safety limit switch activated on channel 4	» Hit obstruction	<ul style="list-style-type: none"> • Remove obstruction (P3) • Initialize if necessary (P1)
E65	Ch1 pulse dir	Pulses counted wrong direction in channel 1	<ul style="list-style-type: none"> » Motor poles are crossed » Hall sensor cables are crossed 	<ul style="list-style-type: none"> • Check motor cable connections and integrity (P2) • Change Desk Leg • Initialize the system (P1)
E66	Ch2 pulse dir	Pulses counted wrong direction in channel 3	<ul style="list-style-type: none"> » Motor poles are crossed » Hall sensor cables are crossed 	<ul style="list-style-type: none"> • Check motor cable connections and integrity (P2) • Change Desk Leg • Initialize the system (P1)
E67	Ch3 pulse dir	Pulses counted wrong direction in channel 3	<ul style="list-style-type: none"> » Motor poles are crossed » Hall sensor cables are crossed 	<ul style="list-style-type: none"> • Check motor cable connections and integrity (P2) • Initialize the system (P1)
E68	Ch4 pulse dir	Pulses counted wrong direction in channel 4	<ul style="list-style-type: none"> » Motor poles are crossed » Hall sensor cables are crossed 	<ul style="list-style-type: none"> • Check motor cable connections and integrity (P2) • Initialize the system (P1)
E71	Ch1A short	Short circuit on channel 1 [If T-splitter is used, short circuit on 1A]	<ul style="list-style-type: none"> » Damage to motor cable » Damage to cable exiting leg (if applicable) 	<ul style="list-style-type: none"> • Inspect motor cable for damage, replace if damaged • Inspect cable exiting leg (if applicable), replace if damaged.
E72	Ch1B short	Short circuit on channel 1 [If T-splitter is used, short circuit on 1B]	<ul style="list-style-type: none"> » Damage to motor cable » Damage to cable exiting leg (if applicable) 	<ul style="list-style-type: none"> • Inspect motor cable for damage, replace if damaged • Inspect cable exiting leg (if applicable), replace if damaged.
E73	Ch2A short	Short circuit on channel 2 [If T-splitter is used, short circuit on 2A]	<ul style="list-style-type: none"> » Damage to motor cable » Damage to cable exiting leg (if applicable) 	<ul style="list-style-type: none"> • Inspect motor cable for damage, replace if damaged • Inspect cable exiting leg (if applicable), replace if damaged.
E74	Ch2B short	Short circuit on channel 2 [If T-splitter is used, short circuit on 2B]	<ul style="list-style-type: none"> » Damage to motor cable » Damage to cable exiting leg (if applicable) 	<ul style="list-style-type: none"> • Inspect motor cable for damage, replace if damaged • Inspect cable exiting leg (if applicable), replace if damaged.
E75	Ch3A short	Short circuit on channel 3 [If T-splitter is used, short circuit on 3A]	<ul style="list-style-type: none"> » Damage to motor cable » Damage to cable exiting leg (if applicable) 	<ul style="list-style-type: none"> • Inspect motor cable for damage, replace if damaged • Inspect cable exiting leg (if applicable), replace if damaged.
E76	Ch3B short	Short circuit on channel 3 [If T-splitter is used, short circuit on 3B]	<ul style="list-style-type: none"> » Damage to motor cable » Damage to cable exiting leg (if applicable) 	<ul style="list-style-type: none"> • Inspect motor cable for damage, replace if damaged • Inspect cable exiting leg (if applicable), replace if damaged.
E77	Ch4A short	Short circuit on channel 4 [If T-splitter is used, short circuit on 4A]	<ul style="list-style-type: none"> » Damage to motor cable » Damage to cable exiting leg (if applicable) 	<ul style="list-style-type: none"> • Inspect motor cable for damage, replace if damaged • Inspect cable exiting leg (if applicable), replace if damaged.
E78	Ch4B short	Short circuit on channel 4 [If T-splitter is used, short circuit on 4B]	<ul style="list-style-type: none"> » Damage to motor cable » Damage to cable exiting leg (if applicable) 	<ul style="list-style-type: none"> • Inspect motor cable for damage, replace if damaged • Inspect cable exiting leg (if applicable), replace if damaged.

FREEFIT TROUBLESHOOTING GUIDE

ERROR CODE	NAME	DESCRIPTION	POTENTIAL CAUSE	TROUBLESHOOTING
E86	Master	Connection to master lost OR following messages are from master	[Only used in multi-parallel system] » Poor cable connection to master box » If followed by another error code, then codes being communicated from master box	<ul style="list-style-type: none"> • Check connection to master box, check cable integrity • If communicating other error codes, see above
E87	Slave 1	Connection to 1st slave lost OR following messages are from 1st slave	[Only used in multi-parallel system] » Poor cable connection to slave box » If followed by another error code, then codes being communicated from slave box	<ul style="list-style-type: none"> • Check connection to master box, check cable integrity • If communicating other error codes, see above
E88	Slave 2	Connection to 2nd slave lost OR following messages are from 2nd slave	[Only used in multi-parallel system] » Poor cable connection to slave box » If followed by another error code, then codes being communicated from slave box	<ul style="list-style-type: none"> • Check connection to master box, check cable integrity • If communicating other error codes, see above
E89	Slave 3	Connection to 3rd slave lost OR following messages are from 3rd slave	» Damage to motor cable » Damage to cable exiting leg (if applicable)	<ul style="list-style-type: none"> • Inspect motor cable for damage, replace if damaged • Inspect cable exiting leg (if applicable), replace if damaged.
E93	DeskSensor 1 – Activation	Detected trigger from LIN bus safety limit switch, e.g. DS1	» Hit obstruction	<ul style="list-style-type: none"> • Remove obstruction
E94	DeskSensor 1 – Not Responding	LIN SLS unit (e.g. DS1) no longer responding	» LIN SLS unit (e.g. DS1) or cables are not connected	<ul style="list-style-type: none"> • Ensure DS1 unit and all cables are correctly mounted.